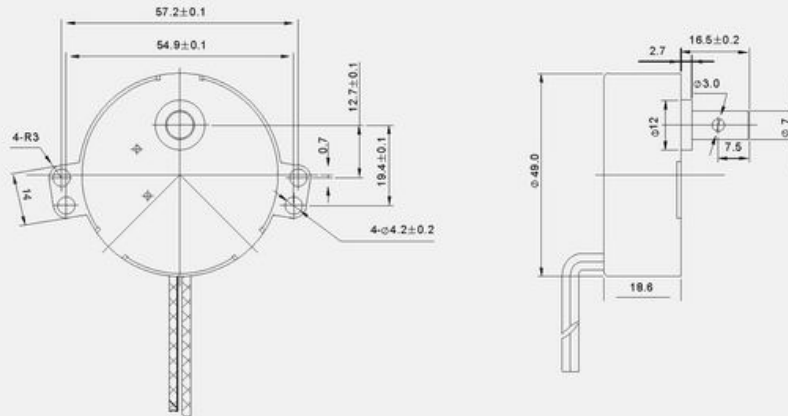
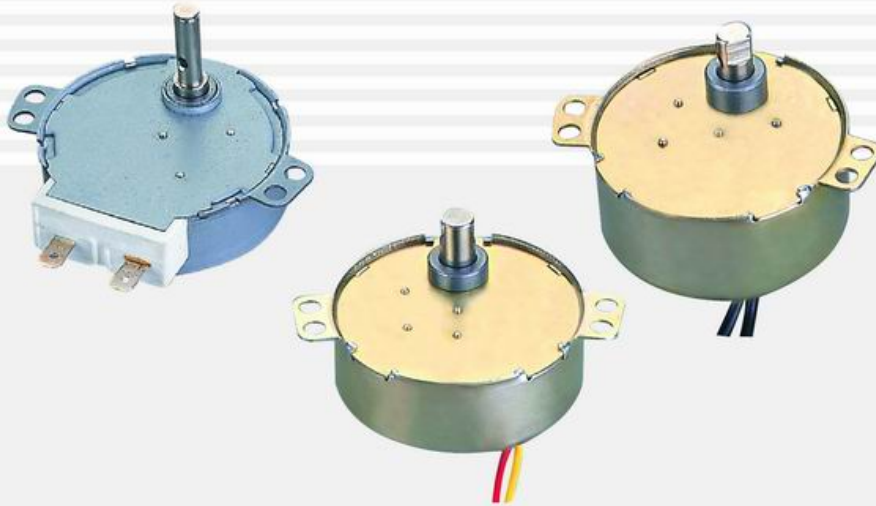


# CIXI JIULING ELECTRICAL APPLIANCE CO.,LTD.

**同步电机系列** Synchronous Motor Series  
**49TYJ-B**



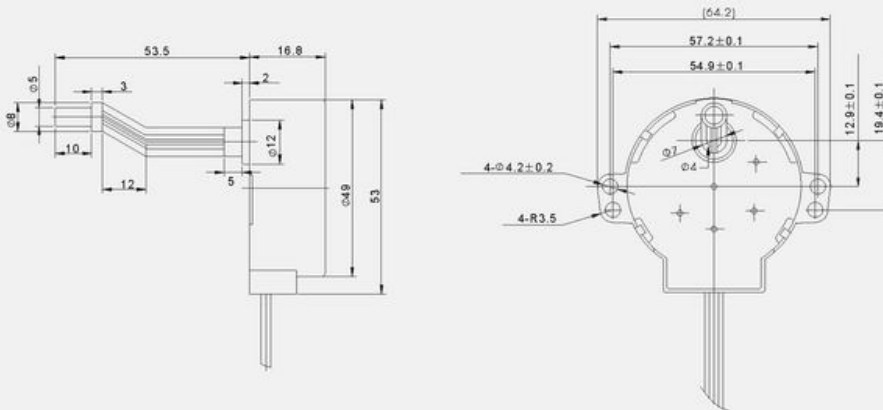
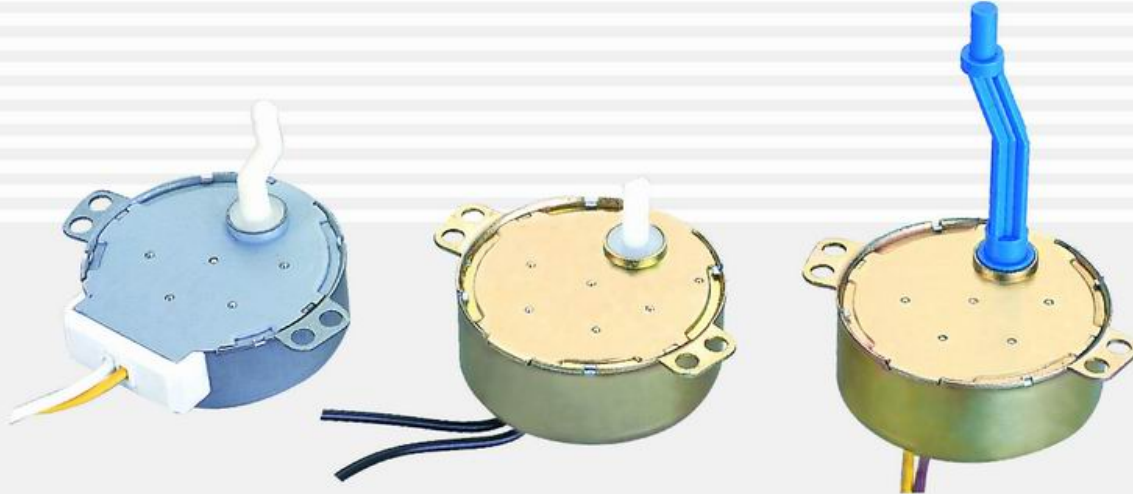
## 主要电气性能 (SPECIFICATION)

1. 额定电压 (Rated voltage): 220V/240V~ 50/60Hz
2. 空载功率 (Power consumption):  $\leq 4W$
3. 空载电流 (Input current):  $\leq 25mA$
4. 输出扭矩 (Torque):  $\geq 4Kgf.cm$
5. 转速 (Rotate Speed): 5/6R.P.M
6. 起动电压 (Starting voltage):  $\leq 176V$
7. 绝缘电阻 (Insulation resistance):  $\geq 100 M\Omega$
8. 绝缘强度 (Dielectric strength): 1500VAC/1min
9. 噪音 (Noise):  $\leq 45dB(A)$
10. 温升 (Coil temperature rise):  $\leq 60k$
11. 绝缘等级 (Insulation class): E

- 注: 1. 导线颜色及长度可按用户要求生产  
2. 输出轴可按用户要求生产  
3. 工作电压及频率可按用户要求生产
- Note: 1. Colour & length of conducting wire can be made according to the requirement of users  
2. The output shaft can be made according to The consumers need  
3. Working voltages and frequencies can be made as per users' requirements.

The information above is for reference only, detailed specification is subject to final confirmation

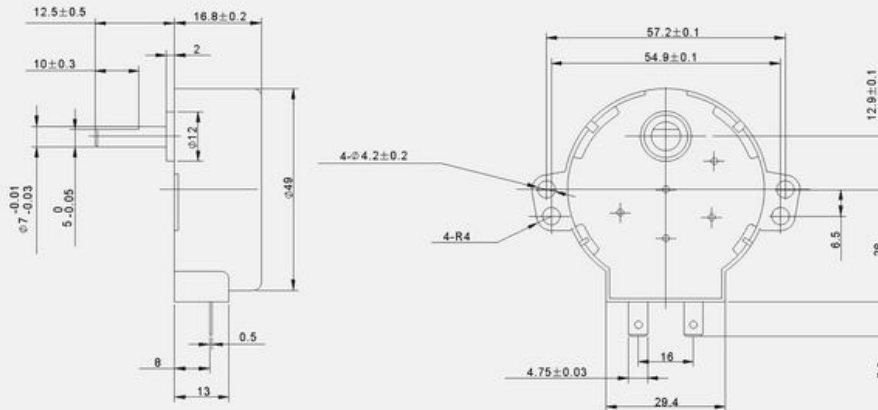
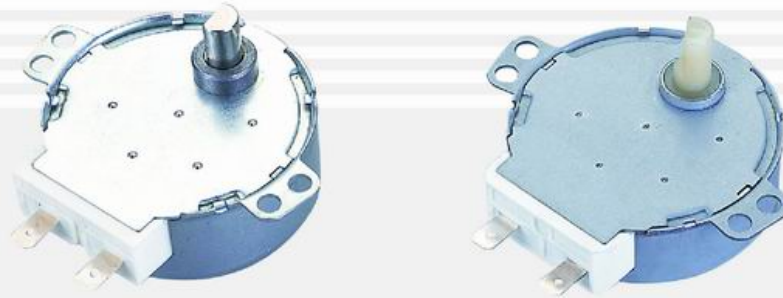
电话 (Tel): 0086-574-63780312 Sales: 63788682 Tech: 63788702 传真 (Fax): 0086-574-63788566 联系人: 金鹏伟、黄崇荣  
网址 (Website): [Http://www.china-jiuling.com](http://www.china-jiuling.com), [Http://www.micromotor.cn](http://www.micromotor.cn) E-mail: [jiuling@china-jiuling.com](mailto:jiuling@china-jiuling.com) [sale@juln.com](mailto:sale@juln.com)  
地址: 浙江省宁波慈溪市龙山工业园区 (329 国道旁) 网络实名: 同步电动机, 微型步进电机, 机械定时器, 风扇罩极电机



### 主要电气性能 (SPECIFICATION)

1. 额定电压 (Rated voltage): 220/240V~ 50/60Hz
2. 空载功率 (Power consumption):  $\leq 4\text{W}$
3. 空载电流 (Input current):  $\leq 25\text{mA}$
4. 输出扭矩 (Torque):  $\geq 3.5\text{Kgf.cm}$
5. 转速 (Rotate Speed): 5/6R.P.M
6. 起动电压 (Starting voltage):  $\leq 176\text{V}$
7. 绝缘电阻 (Insulation resistance):  $\geq 100\text{M}\Omega$
8. 绝缘强度 (Dielectric strength): 1500VAC/1min
9. 噪音 (Noise):  $\leq 40\text{dB(A)}$
10. 温升 (Coil temperature rise):  $\leq 60\text{K}$
11. 绝缘等级 (Insulation class): E

- 注: 1. 导线颜色及长度可按用户要求生产  
2. 输出轴可按用户要求生产  
3. 工作电压及频率可按用户要求生产
- Note: 1. Colour & length of conducting wire can be made according to the requirement of users  
2. The output shaft can be made according to The consumers need  
3. Working voltages and frequencies can be made as per users' requirements.



### 主要电气性能 SPECIFICATION

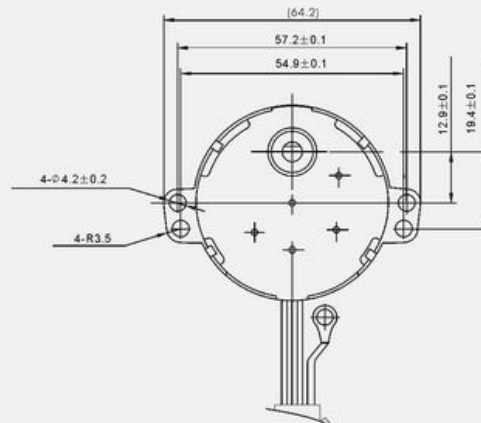
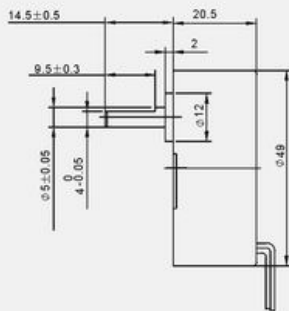
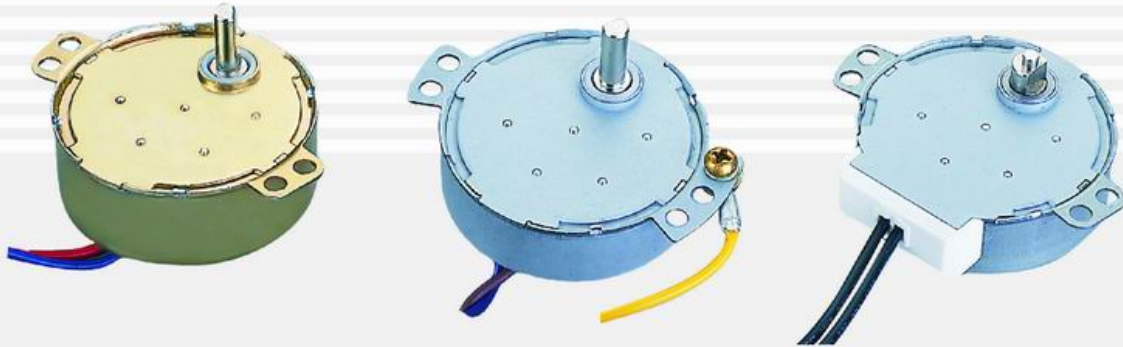
1. 额定电压 (Rated voltage): 220/240V~50/60Hz
2. 空载功率 (Power consumption):  $\leq 4W$
3. 空载电流 (Input current):  $\leq 25mA$
4. 输出扭矩 (Torque):  $\geq 3.5kgf.cm$
5. 转速 (Rotate Speed): 5/6R.P.M
6. 起动电压 (Starting voltage):  $\leq 176V$
7. 绝缘电阻 (Insulation resistance):  $\geq 100 M\Omega$
8. 绝缘强度 (Dielectric strength): 1500VAC/1min
9. 噪音 (Noise):  $\leq 40dB(A)$
10. 温升 (Coil temperature rise):  $\leq 60K$
11. 绝缘等级 (Insulation class): E

- 注: 1. 导线颜色及长度可按用户要求生产  
2. 输出轴可按用户要求生产  
3. 工作电压及频率可按用户要求生产
- Note: 1. Colour & length of conducting wire can be made according to the requirement of users  
2. The output shaft can be made according to The consumers need  
3. Working voltages and frequencies can be made as per users' requirements.

The information above is for reference only, detailed specification is subject to final confirmation

# CIXI JIULING ELECTRICAL APPLIANCE CO.,LTD.

**同步电机系列** Synchronous Motor Series  
**49TYJ-C**



## 主要电气性能 SPECIFICATION

1. 额定电压 (Rated voltage): 220/240V~ 50/60Hz
2. 空载功率 (Power consumption):  $\leq 4W$
3. 空载电流 (Input current):  $\leq 25mA$
4. 输出扭矩 (Torque):  $\geq 3.5kgf.cm$
5. 转速 (Rotate Speed): 5/6R.P.M
6. 起动电压 (Starting voltage):  $\leq 176V$
7. 绝缘电阻 (Insulation resistance):  $\geq 100 M\Omega$
8. 绝缘强度 (Dielectric strength): 1500VAC/1min
9. 噪音 (Noise):  $\leq 40dB(A)$
10. 温升 (Coil temperature rise):  $\leq 60K$
11. 绝缘等级 (Insulation class): E

- 注: 1. 导线颜色及长度可按用户要求生产  
2. 输出轴可按用户要求生产  
3. 工作电压及频率可按用户要求生产
- Note: 1. Colour & length of conducting wire can be made according to the requirement of users  
2. The output shaft can be made according to The consumers need  
3. Working voltages and frequencies can be made as per users' requirements.

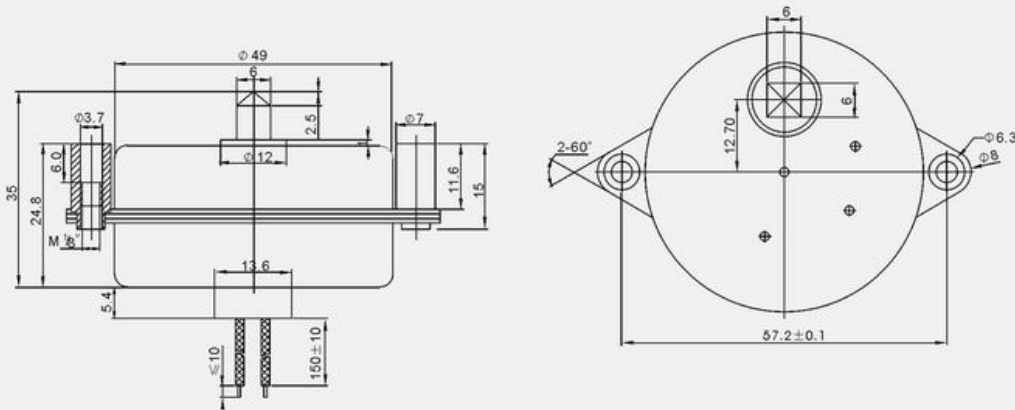
The information above is for reference only, detailed specification is subject to final confirmation

电话 (Tel): 0086-574-63780312 Sales: 63788682 Tech: 63788702 传真 (Fax): 0086-574-63788566 联系人: 金鹏伟、黄崇荣  
网址 (Website): [Http://www.china-jiuling.com](http://www.china-jiuling.com), [Http://www.micromotor.cn](http://www.micromotor.cn) E-mail: [jiuling@china-jiuling.com](mailto:jiuling@china-jiuling.com) [sale@juln.com](mailto:sale@juln.com)  
地址: 浙江省宁波慈溪市龙山工业园区 (329 国道旁) 网络实名: 同步电动机, 微型步进电机, 机械定时器, 风扇罩极电机

# CIXI JIULING ELECTRICAL APPLIANCE CO.,LTD.

同步电机系列  
49TYJ-D

Synchronous Motor Series



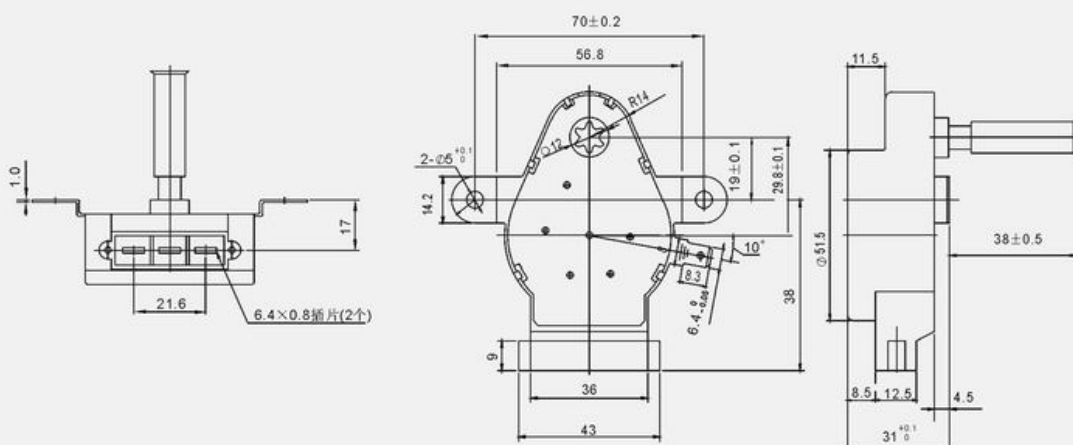
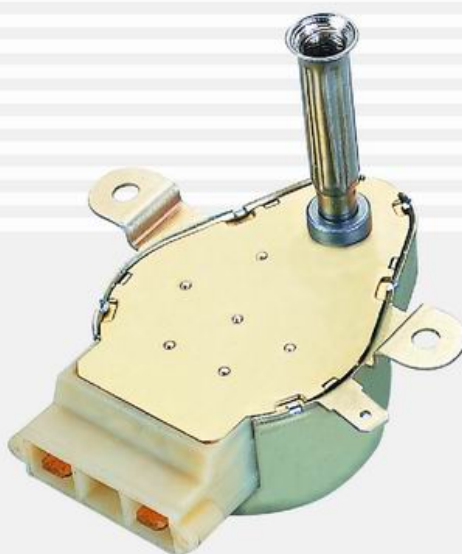
## 主要电气性能 SPECIFICATION

1. 额定电压 (Rated voltage): 220-240VAC~50/60Hz
2. 空载功率 (Power consumption):  $\leq 4W$
3. 空载电流 (Input current):  $\leq 25mA$
4. 输出扭矩 (Torque):  $\geq 2.5Kgf.cm$
5. 转速 (Rotate Speed): 13.2/16R.P.M
6. 起动电压 (Starting voltage):  $\leq 176V$
7. 绝缘电阻 (Insulation resistance):  $\geq 100M\Omega$
8. 绝缘强度 (Dielectric strength): 1500VAC/1min
9. 噪音 (Noise):  $\leq 45dB(A)$
10. 温升 (Coil temperature rise):  $\leq 60K$
11. 绝缘等级 (Insulation class): F

- 注: 1. 导线颜色及长度可按用户要求生产  
2. 输出轴可按用户要求生产  
3. 工作电压及频率可按用户要求生产
- Note: 1. Colour & length of conducting wire can be made according to the requirement of users  
2. The output shaft can be made according to the consumers need  
3. Working voltages and frequencies can be made as per users' requirements.

The information above is for reference only, detailed specification is subject to final confirmation

电话 (Tel): 0086-574-63780312 Sales: 63788682 Tech: 63788702 传真 (Fax): 0086-574-63788566 联系人: 金鹏伟、黄崇荣  
网址 (Website): [Http://www.china-jiuling.com](http://www.china-jiuling.com), [Http://www.micromotor.cn](http://www.micromotor.cn) E-mail: [jiuling@china-jiuling.com](mailto:jiuling@china-jiuling.com) [sale@jnl.com](mailto:sale@jnl.com)  
地址: 浙江省宁波慈溪市龙山工业园区 (329 国道旁) 网络实名: 同步电动机, 微型步进电机, 机械定时器, 风扇罩极电机



### 主要电气性能 SPECIFICATION

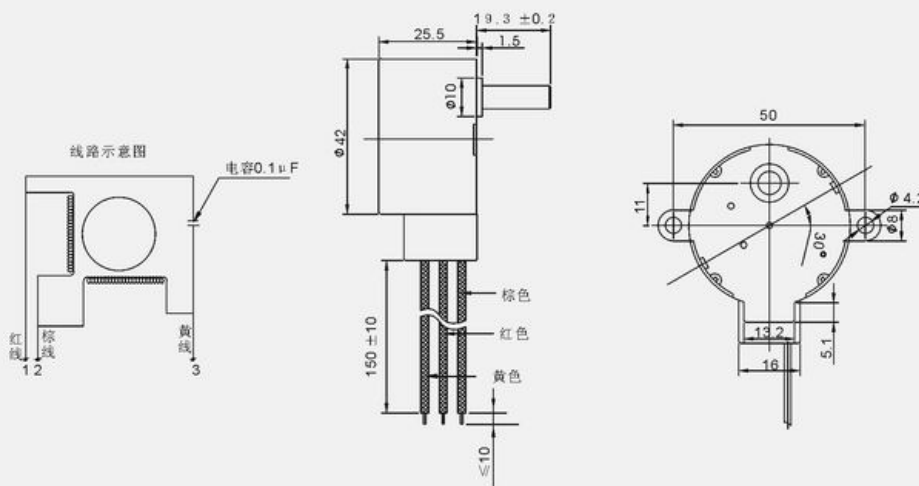
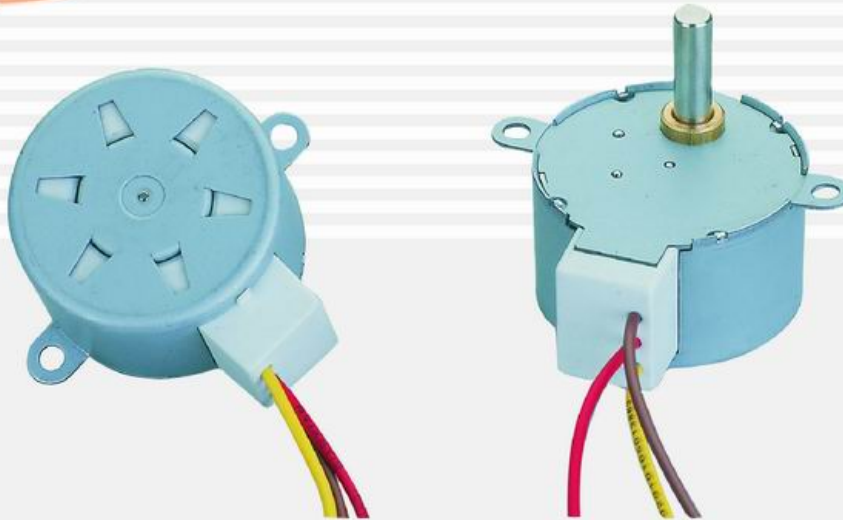
1. 额定电压 (Rated voltage): 220-240V~50Hz
2. 空载功率 (Power consumption): ≤ 4W
3. 输出扭矩 (Torque): ≥ 12Kgf.cm
4. 转 速 (Rotate Speed): 2R.P.M
5. 起动电压 (Starting voltage): ≤ 176V
6. 绝缘电阻 (Insulation resistance): ≤ 100MΩ
7. 绝缘强度 (Dielectric strength): ≥ 1500VAC/1min
8. 噪 音 (Noise): ≤ 50dB(A)
9. 温 升 (Coil temperature rise): ≤ 65K
10. 绝缘等级 (Insulation class): F

- 注: 1. 导线颜色及长度可按用户要求生产  
 2. 输出轴可按用户要求生产  
 3. 工作电压及频率可按用户要求生产
- Note: 1. Colour & length of conducting wire can be made according to the requirement of users  
 2. The output shaft can be made according to The consumers need  
 3. Working voltages and frequencies can be made as per users' requirements.

The information above is for reference only, detailed specification is subject to final confirmation

# CIXI JIULING ELECTRICAL APPLIANCE CO.,LTD.

## 同步电机系列 Synchronous Motor Series 42TYJ-F



### 主要电气性能 SPECIFICATION

1. 额定电压 (Rated voltage): 220V/240V~50Hz/60Hz
2. 空载功率 (Power consumption):  $\leq 4W$
3. 空载电流 (Input current):  $\leq 25mA$
4. 输出扭矩 (Torque):  $\geq 2Kgf.cm$
5. 转 速 (Rotate Speed): 15-18r/min
6. 起动电压 (Starting voltage):  $\leq 176V$
7. 绝缘电阻 (Insulation resistance):  $\geq 100M\Omega$
8. 绝缘强度 (Dielectric strength): 1500VAC/1min
9. 噪 音 (Noise):  $\leq 35dB(A)$
10. 温 升 (Coil temperature rise):  $\leq 60K$
11. 绝缘等级 (Insulation class): E

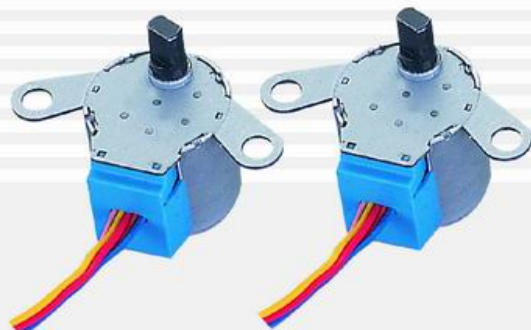
注: 1. 电容的两端分别焊接在红线和黄线的引线头上;  
2. 接线端 1、2 接入电源, 轴伸端视之, 输出轴逆时针旋转; 接线端 2、3 接入电源, 输出轴顺时针旋转。

Note: 1. The two ends of capacitor are respectively connected to the lead risers of the red and yellow wires.  
2. Connect the terminal posts 1 and 2 to power source and view from the shaft-extension end, the output shaft turns anticlockwise. Connect the terminal posts 2 and 3 to power source and the output shaft turns clockwise.

The information above is for reference only, detailed specification is subject to final confirmation

电话 (Tel): 0086-574-63780312 Sales: 63788682 Tech: 63788702 传真 (Fax): 0086-574-63788566 联系人: 金鹏伟、黄崇荣  
网址 (Website): [Http://www.china-jiuling.com](http://www.china-jiuling.com), [Http://www.micromotor.cn](http://www.micromotor.cn) E-mail: [jiuling@china-jiuling.com](mailto:jiuling@china-jiuling.com) [sale@juln.com](mailto:sale@juln.com)  
地址: 浙江省宁波慈溪市龙山工业园区 (329 国道旁) 网络实名: 同步电动机, 微型步进电机, 机械定时器, 风扇罩极电机

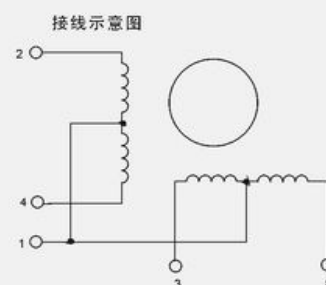
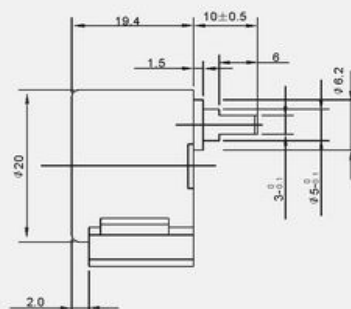
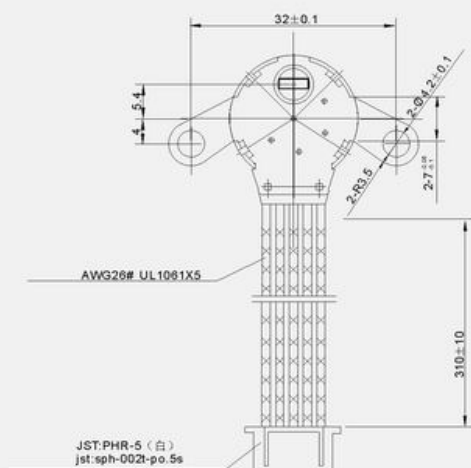
## 步进电机系列 Step Motor Series 20BYJ46



1-2相励磁顺序表

连线序号	导线颜色	分配顺序							
		1	2	3	4	5	6	7	8
1	红	+	+	+	+	+	+	+	+
2	橙	-	-						-
3	黄			-	-				
4	粉					-	-		
5	蓝							-	-

从输出轴方向看-逆时针方向(CCW)



### 主要电气性能 SPECIFICATION

- 额定电压 (Rated voltage): 12VDC
- 相数 (Number of phases): 4
- 减速比 (Reduction Gear ratio): 1/85.25
- 步距角 (Step angle): 7.5° / 85.25
- 驱动方式 (Pattern of drive): 四相八拍;
- 直流电阻 (Direct resistance): 200 Ω ± 7% ( 25° C )
- 空载牵入频率 (No\_load pull\_in rate.p.p.s): ≥ 500Hz
- 空载牵出频率 (No\_load pull\_out rate.p.p.s): ≥ 800Hz
- 牵入转矩 (Pull-in Torque): ≥ 34.3mN.m ( 120Hz )
- 自定位转矩 (Detent Torque): ≥ 29.4mN.m
- 绝缘电阻 (Insulation resistance): > 50 MΩ(500V)
- 绝缘介电强度 (Dielectric strength): 600VAC/1mA/1s
- 绝缘等级 (Insulation class): A
- 温升 (Coil temperature rise): < 50K ( 120Hz )
- 噪声 (Noise): < 35dB(A)
- 重量 (Weight): about 32g
- 未注公差按 (According to class where tolerance is not given): GB1804-m

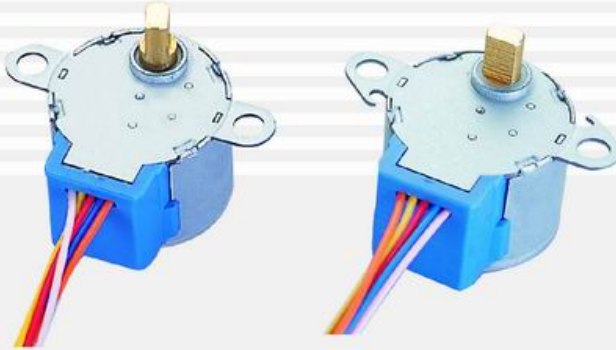
- 注:
1. 导线颜色及长度可按用户要求生产
  2. 输出轴可按用户要求生产
  3. 工作电压及频率可按用户要求生产
  4. 安装尺寸可按用户要求制作
- Note:
1. Colour & length of conducting wire can be made according to the requirement of users
  2. The output shaft can be made according to The consumers need
  3. Working voltages and frequencies can be made as per users' requirements.
  4. Installation dimension can be made according to user's requirements.

The information above is for reference only, detailed specification is subject to final confirmation



# CIXI JIULING ELECTRICAL APPLIANCE CO.,LTD.

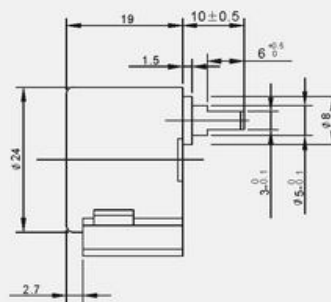
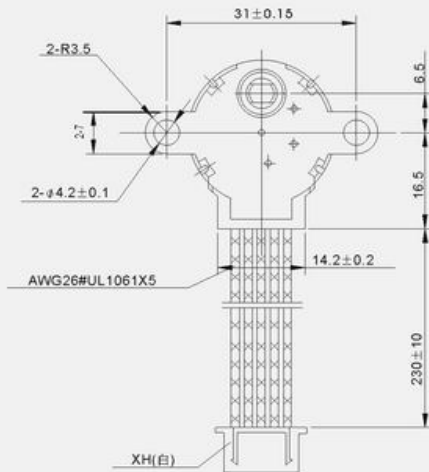
## 步进电机系列 Step Motor Series 24BYJ48



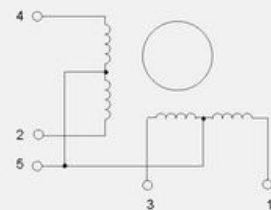
1-2相励磁顺序表

连线序号	导线颜色	分配顺序							
		1	2	3	4	5	6	7	8
5	红	+	+	+	+	+	+	+	+
4	橙	-	-	-	-	-	-	-	-
3	黄	-	-	-	-	-	-	-	-
2	粉	-	-	-	-	-	-	-	-
1	蓝	-	-	-	-	-	-	-	-

从输出轴方向看-逆时针方向(CCW)



接线示意图



### 主要电气性能 SPECIFICATION

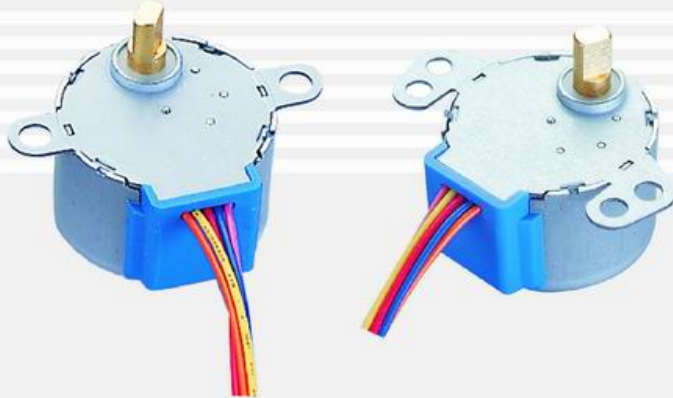
1. 额定电压 (Rated voltage): 12VDC
2. 相数 (Number of phases): 4
3. 减速比 (Reduction Gear ratio) : 1/64
4. 步距角 (Step angle) : 5.625° /64
5. 驱动方式 (Pattern of drive): 四相八拍;
6. 直流电阻 (Direct Current Resistance) : 200 Ω ± 7% (25°C )
7. 空载牵入频率 (No\_load pull\_in rate.p.p.s): ≥ 600Hz
8. 空载牵出频率 (No\_load pull\_out rate.p.p.s): ≥ 1000Hz
9. 牵入转矩 (Pull-in Torque) ≥ 34.3mN.m ( 120Hz )
10. 自定位转矩 (Detent Torque) ≥ 34.3mN.m
11. 绝缘电阻 (Insulation resistance): > 10 MΩ(500V)
12. 绝缘介电强度 (Dielectric strength): 600VAC/1mA/1s
13. 绝缘等级 (Insulation class): A
14. 温升 (Coil temperature rise): <40K ( 120Hz )
15. 噪声 (Noise) : <40dB(A)
16. 重量 (Weight) : about 40g
17. 未注公差按 (According to class where tolerance is not given): GB1804-m

- 注: 1. 导线颜色及长度可按用户要求生产  
2. 输出轴可按用户要求生产  
3. 工作电压及频率可按用户要求生产  
4. 安装尺寸可按用户要求制作
- Note: 1. Colour & length of conducting wire can be made according to the requirement of users  
2. The output shaft can be made according to The consumers need  
3. Working voltages and frequencies can be made as per users' requirements.  
4. Installation dimension can be made according to user's requirements.

The information above is for reference only, detailed specification is subject to final confirmation

电话 (Tel): 0086-574-63780312 Sales: 63788682 Tech: 63788702 传真 (Fax): 0086-574-63788566 联系人: 金鹏伟、黄崇荣  
网址 (Website): Http://www.china-jiuling.com, Http://www.micromotor.cn E-mail: jiuling@china-jiuling.com sale@juln.com  
地址: 浙江省宁波慈溪市龙山工业园区 (329 国道旁) 网络实名: 同步电动机, 微型步进电机, 机械定时器, 风扇罩极电机

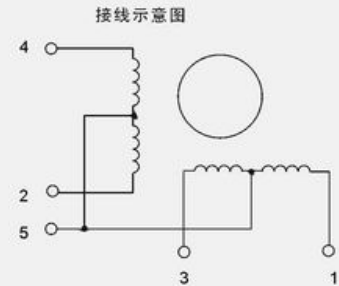
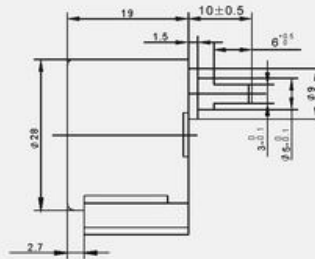
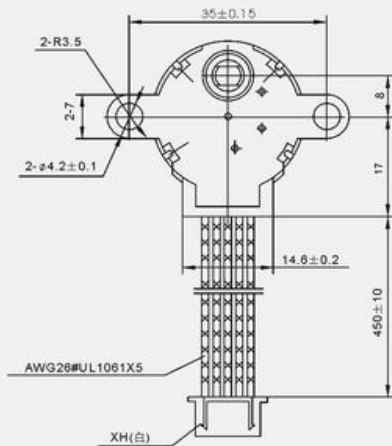
**步进电机系列** Step Motor Series  
**28BYJ48**



1-2相励磁顺序表

连线序号	导线颜色	分配顺序							
		1	2	3	4	5	6	7	8
5	红	+	+	+	+	+	+	+	+
4	橙	-	-	-	-	-	-	-	-
3	黄	-	-	-	-	-	-	-	-
2	粉	-	-	-	-	-	-	-	-
1	蓝	-	-	-	-	-	-	-	-

从输出轴方向看-逆时针方向(CCW)



**主要电气性能 SPECIFICATION**

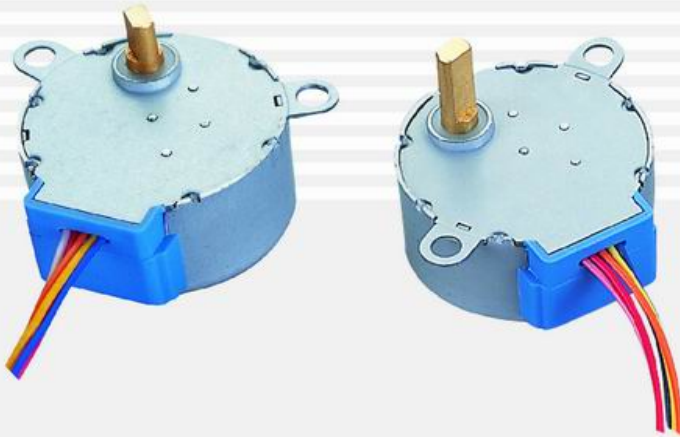
1. 额定电压 (Rated voltage): 12VDC
2. 相数 (Number of phases): 4
3. 减速比 (Reduction Gear ratio): 1/64
4. 步距角 (Step angle): 5.625 °/64
5. 驱动方式 (Pattern of drive): 四相八拍
6. 直流电阻 (Direct Current Resistance): 200Ω ± 7% (25°C)
7. 空载牵入频率 (No\_load pull\_in rate.p.p.s): ≥ 600Hz
8. 空载牵出频率 (No\_load pull\_out rate.p.p.s): ≥ 1000Hz
9. 牵入转矩 (Pull-in Torque): ≥ 34.3mN.m (120Hz)
10. 自定位转矩 (Detent Torque): ≥ 34.3mN.m
11. 绝缘电阻 (Insulation resistance): > 10 MΩ(500V)
12. 绝缘介电强度 (Dielectric strength): 600VAC/1mA/1s
13. 绝缘等级 (Insulation class): A
14. 温升 (Coil temperature rise): < 40K (120Hz)
15. 噪声 (Noise): < 40dB (A)
16. 重量 (Weight): about 40g
17. 未注公差按 (According to class where tolerance is not given): GB1804-m

注: 1. 导线颜色及长度可按用户要求生产  
2. 输出轴可按用户要求生产  
3. 工作电压及频率可按用户要求生产  
4. 安装尺寸可按用户要求制作

Note: 1. Colour & length of conducting wire can be made according to the requirement of users  
2. The output shaft can be made according to The consumers need  
3. Working voltages and frequencies can be made as per users' requirements.  
4. Installation dimension can be made according to user's requirements.

The information above is for reference only, detailed specification is subject to final confirmation

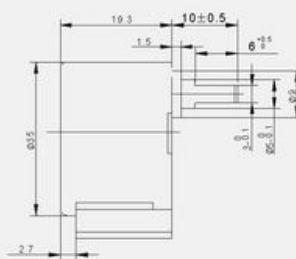
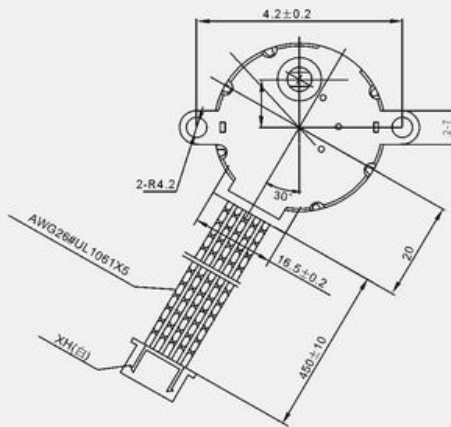
## 步进电机系列 Step Motor Series 35BYJ46



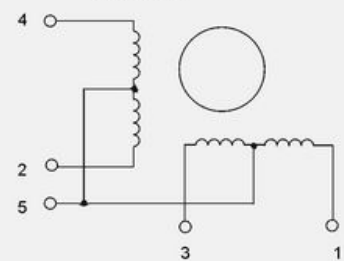
1-2相励磁顺序表

连线序号	导线颜色	分配顺序							
		1	2	3	4	5	6	7	8
5	红	+	+	+	+	+	+	+	+
4	橙	-	-	-	-	-	-	-	-
3	黄								
2	粉				-	-	-	-	-
1	蓝						-	-	-

从输出轴方向看-逆时针方向(CCW)



接线示意图



### 主要电气性能 SPECIFICATION

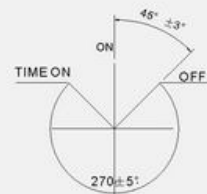
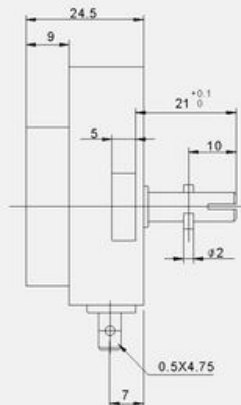
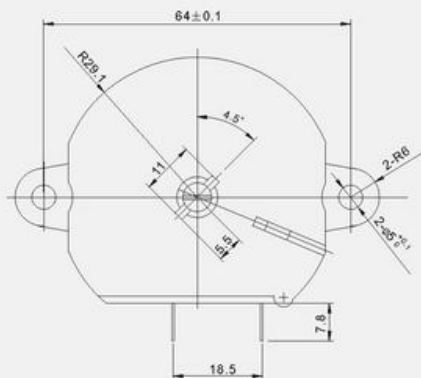
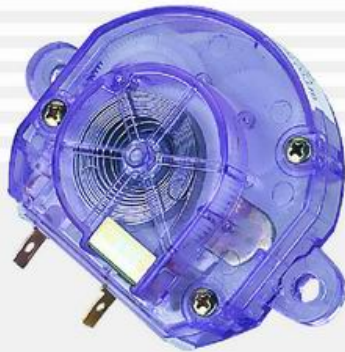
1. 额定电压 (Rated voltage): 12VDC
2. 相数 (Number of phases): 4
3. 减速比 (Reduction Gear ratio): 1/85.25
4. 步距角 (Step angle) : 7.5 °/85.25
5. 驱动方式 (Pattern of drive): 四相八拍
6. 直流电阻 (Direct Current Resistance ): 130 Ω ± 7% ( 25 °C )
7. 空载牵入频率 (No\_load pull\_in rate.p.p.s): ≥ 500Hz
8. 空载牵出频率 (No\_load pull\_out rate.p.p.s): ≥ 800Hz
9. 牵入转矩 (Pull-in Torque): ≥ 78.4mN.m ( 120Hz )
10. 自定位转矩 (Detent Torque): ≥ 39.2mN.m
11. 绝缘电阻 (Insulation resistance): > 10 MΩ(500V)
12. 绝缘介电强度 (Dielectric strength): 600VAC/1mA/1s
13. 绝缘等级 (Insulation class): A
14. 温升 ( Coil temperature rise): <40K ( 120Hz )
15. 噪声 ( Noise): <40dB(A)
16. 重量 (Weight ): about 60g
17. 未注公差按 (According to class where tolerance is not given): GB1804-m

- 注: 1. 导线颜色及长度可按用户要求生产  
2. 输出轴可按用户要求生产  
3. 工作电压及频率可按用户要求生产  
4. 安装尺寸可按用户要求制作
- Note: 1. Colour & length of conducting wire can be made according to the requirement of users  
2. The output shaft can be made according to The consumers need  
3. Working voltages and frequencies can be made as per users' requirements.  
4. Installation dimension can be made according to user's requirements.

The information above is for reference only, detailed specification is subject to final confirmation

# CIXI JIULING ELECTRICAL APPLIANCE CO.,LTD.

风扇定时器系列 Fan Timer  
DFJ-A



定时范围 : 180'、120'、60'、30'等

## 主要电气性能 SPECIFICATION

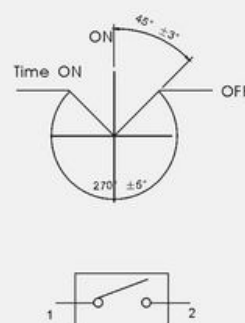
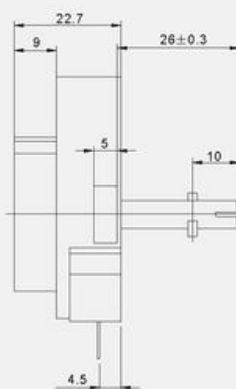
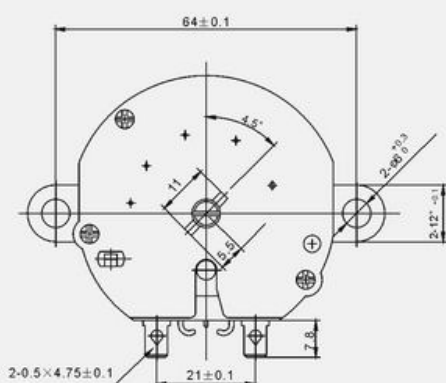
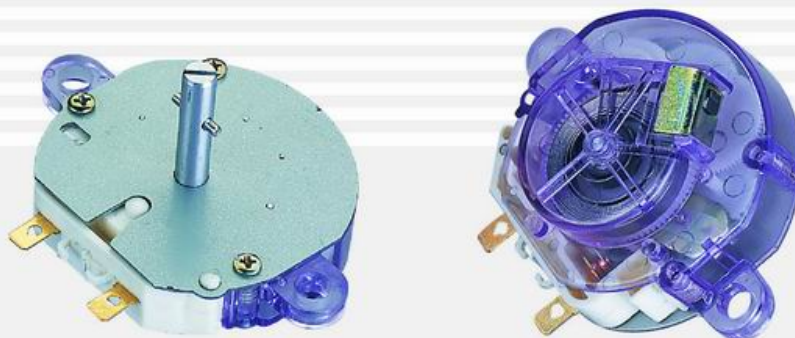
1. 额定电压 (Rated voltage): 220VAC
2. 额定电流 (Rated Current): 3A
3. 绝缘电阻 (Insulation resistance):  $\geq 100 M\Omega$
4. 电气强度 (Electric Strength): 2000VAC/min
5. 主轴操作方向 (Operating Direction of Main Shaft): CW
6. 主轴操作力矩 (Operating Moment of Main Shaft) :  $\leq 0.6 N \cdot cm$

注: 1. 输出轴可按用户要求生产  
2. 工作电压及频率可按用户要求生产

Note: 1. The output shaft can be made according to The consumers need  
2. Working voltages and frequencies can be made as per users' requirements.

The information above is for reference only, detailed specification is subject to final confirmation

电话 (Tel): 0086-574-63780312 Sales: 63788682 Tech: 63788702 传真 (Fax): 0086-574-63788566 联系人: 金鹏伟、黄崇荣  
网址 (Website): [Http://www.china-jiuling.com](http://www.china-jiuling.com), [Http://www.micromotor.cn](http://www.micromotor.cn) E-mail: [jiuling@china-jiuling.com](mailto:jiuling@china-jiuling.com) [sale@juln.com](mailto:sale@juln.com)  
地址: 浙江省宁波慈溪市龙山工业园区 (329 国道旁) 网络实名: 同步电动机, 微型步进电机, 机械定时器, 风扇罩极电机



定时范围 :180'、120'、60'、30'等

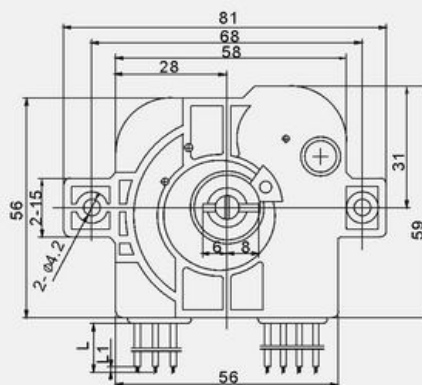
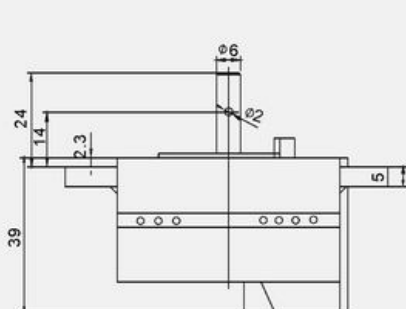
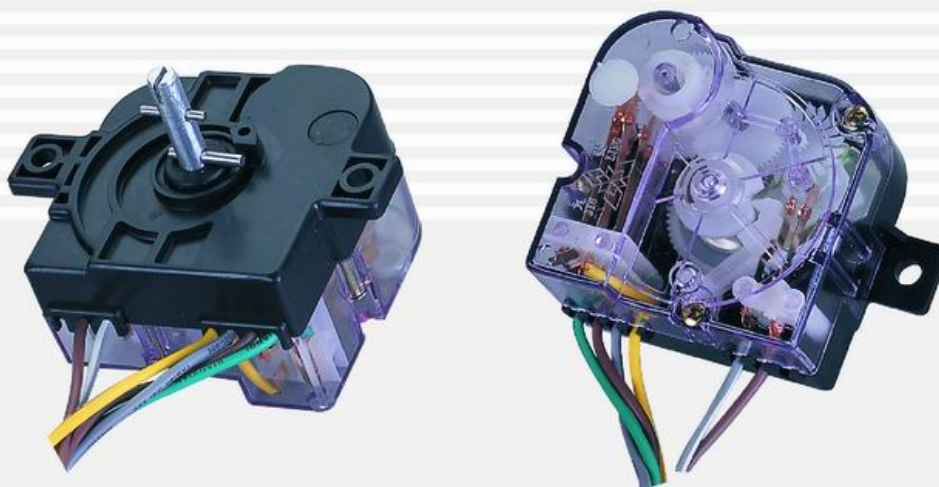
### 主要电气性能 SPECIFICATION

1. 额定电压 (Rated voltage):220VAC
2. 额定电流 (Rated Current):3A
3. 绝缘电阻 (Insulation resistance):  $\geq 100 M\Omega$
4. 电气强度 (Electric Strength):2000VAC/min
5. 主轴操作方向 (Operating Direction of Main Shaft):CW
6. 主轴操作力矩 (Operating Moment of Main Shaft):  $\leq 0.6N.cm$

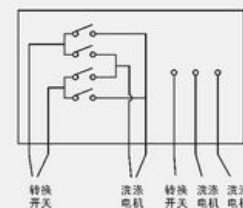
- 注: 1. 输出轴可按用户要求生产  
2. 工作电压及频率可按用户要求生产
- Note: 1. The output shaft can be made according to The consumers need  
2. Working voltages and frequencies can be made as per users' requirements.

The information above is for reference only, detailed specification is subject to final confirmation

**洗涤定时器** Wash Timer  
**DXT15S-1**



线路图



## 主要电气性能 SPECIFICATION

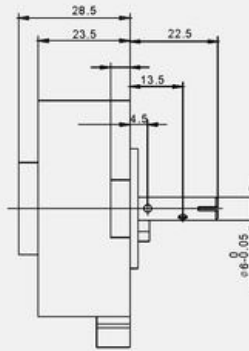
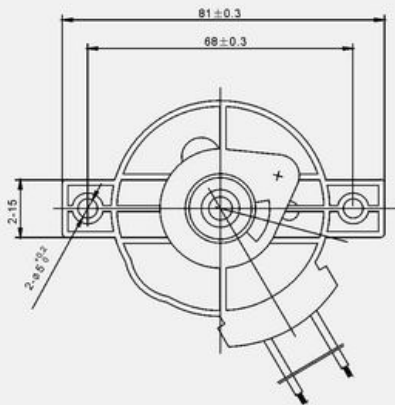
1. 额定电压 (Rated voltage): 220VAC
2. 额定电流 (Rated Current): 3.5A
3. 绝缘电阻 (Insulation resistance): 100 MΩ
4. 电气强度 (Electric Strength): 1500VAC/min
5. 主轴操作方向 (Operating Direction of Main Shaft): CW
6. 主轴操作力矩 (Operating Moment of Main Shaft) :  $\leq 0.883\text{N}\cdot\text{cm}$

- 注: 1. 导线颜色及长度可按用户要求生产  
2. 输出轴可按用户要求生产  
3. 工作电压及频率可按用户要求生产

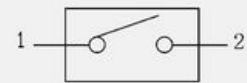
- Note: 1. Colour & length of conducting wire can be made according to the requirement of users  
2. The output shaft can be made according to The consumers need  
3. Working voltages and frequencies can be made as per users' requirements.

The information above is for reference only, detailed specification is subject to final confirmation

电话 (Tel): 0086-574-63780312 Sales: 63788682 Tech: 63788702 传真 (Fax): 0086-574-63788566 联系人: 金鹏伟、黄崇荣  
网址 (Website): [Http://www.china-jiuling.com](http://www.china-jiuling.com), [Http://www.micromotor.cn](http://www.micromotor.cn) E-mail: [jiuling@china-jiuling.com](mailto:jiuling@china-jiuling.com) [sale@jnl.com](mailto:sale@jnl.com)  
地址: 浙江省宁波慈溪市龙山工业园区 (329 国道旁) 网络实名: 同步电动机, 微型步进电机, 机械定时器, 风扇罩极电机



线路图



### 主要电气性能 SPECIFICATION

1. 额定电压 (Rated voltage): 220VAC
2. 额定电流 (Rated Current): 3A
3. 绝缘电阻 (Insulation resistance): 100 MΩ
4. 电气强度 (Electric Strength): 1500VAC/min
5. 主轴操作方向 (Operating Direction of Main Shaft): CW
6. 主轴操作力矩 (Operating Moment of Main Shaft):  $\leq 0.638\text{N.cm}$

- 注: 1. 导线颜色及长度可按用户要求生产  
2. 输出轴可按用户要求生产  
3. 工作电压及频率可按用户要求生产

- Note: 1. Colour & length of conducting wire can be made according to the requirement of users  
2. The output shaft can be made according to The consumers need  
3. Working voltages and frequencies can be made as per users' requirements.

The information above is for reference only, detailed specification is subject to final confirmation

电话 (Tel): 0086-574-63780312 Sales: 63788682 Tech: 63788702 传真 (Fax): 0086-574-63788566 联系人: 金鹏伟、黄崇荣  
网址 (Website): [Http://www.china-jiuling.com](http://www.china-jiuling.com), [Http://www.micromotor.cn](http://www.micromotor.cn) E-mail: [jiuling@china-jiuling.com](mailto:jiuling@china-jiuling.com) [sale@juln.com](mailto:sale@juln.com)  
地址: 浙江省宁波慈溪市龙山工业园区 (329 国道旁) 网络实名: 同步电动机, 微型步进电机, 机械定时器, 风扇罩极电机

# CIXI JIULING ELECTRICAL APPLIANCE CO.,LTD.

**单相罩极异步电机**  
YJ48系列

Single Phase Shade Pole Motor



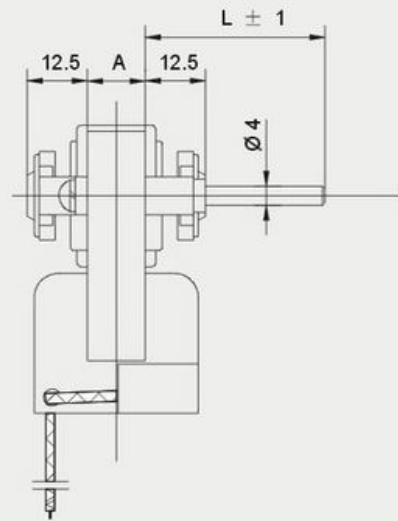
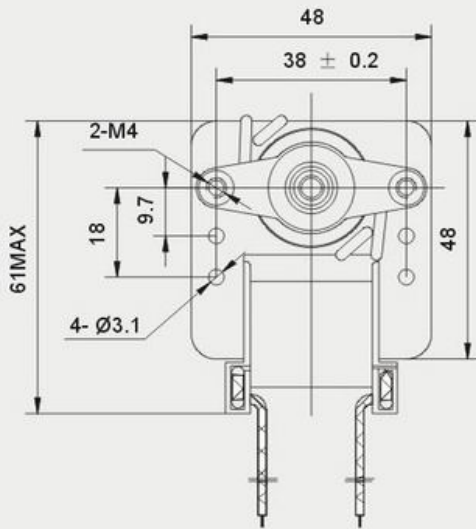
**用途:**

本系列电机广泛用于暖风机散热, 空气清新机、加湿器。  
This series motor is extensive to used for Warming machine, Fresh air machine and Humidity machine.

**注:**

电机的旋转方向、引出线的规格和长度、输出轴的长度都可以按客户要求设计。

The rotation, lead wire(spec and length), Output shaft can be made according to the consumer need.



**主要技术参数 SPECIFICATION**

ITEM  MODEL	电压  VOLTAGE V	频率  FREQUENCY Hz	绝缘等级  INSULATION	尺寸  DIMENSIONS  A mm	空载性能 NO LOAD PERFORMANCE			负载性能 ON LOAD PERFORMANCE					
					输入 电流	输入 功率	转速	输入 电流	输入 功率	功率 因素	转速	输出 功率	额定 转矩
					INPUT CURRENT	INPUT POWER	SPEED	INPUT CURRENT	INPUT POWER	COS φ	SPEED	OUTPUT POWER	TORQUE
					A	W	r/min	A	W		r/min	W	g.cm
YJ48-10A/1	220/240	50	E	10	0.06	5	2600	0.07	7	0.46	2300	0.48	20
YJ48-10B/2	120	60	E	10	0.1	4	3300	0.11	6.5	0.5	2600	0.55	20
YJ48-12A/3	220/240	50	E	12	0.085	9	2650	0.09	11	0.48	2300	0.72	30
YJ48-12B/4	120	60	E	12	0.11	7	3350	0.125	8.5	0.55	2400	0.78	30
YJ48-16A/5	220/240	50	E	16	0.11	12	2700	0.135	15	0.51	2300	1.45	60
YJ48-16B/6	120	60	E	16	0.135	12.5	3400	0.16	16	0.55	2500	1.55	60
YJ48-20A/7	220/240	50	E	20	0.145	12.5	2800	0.155	16	0.56	2400	2.0	80
YJ48-20B/8	120	60	E	20	0.16	13	3400	0.19	19	0.6	2500	2.1	80

The information above is for reference only, detailed specification is subject to final confirmation

电话 (Tel): 0086-574-63780312 Sales:63788682 Tech: 63788702 传真 (Fax): 0086-574-63788566 联系人: 金鹏伟、黄崇荣  
 网址 (Website): Http://www.china-jiuling.com, Http://www.micromotor.cn E-mail: jiuling@china-jiuling.com sale@jnl.com  
 地址: 浙江省宁波慈溪市龙山工业园区 (329 国道旁) 网络实名: 同步电动机, 微型步进电机, 机械定时器, 风扇罩极电机



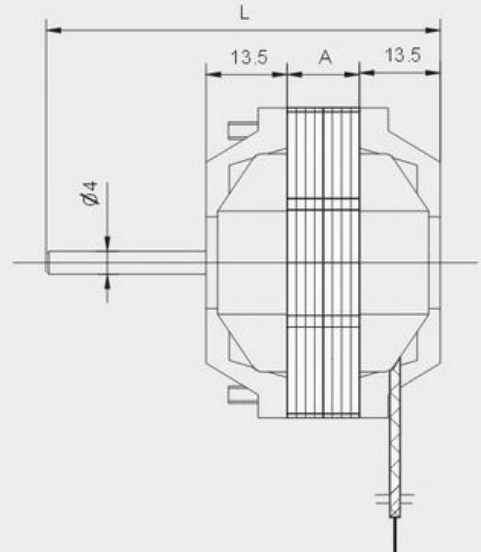
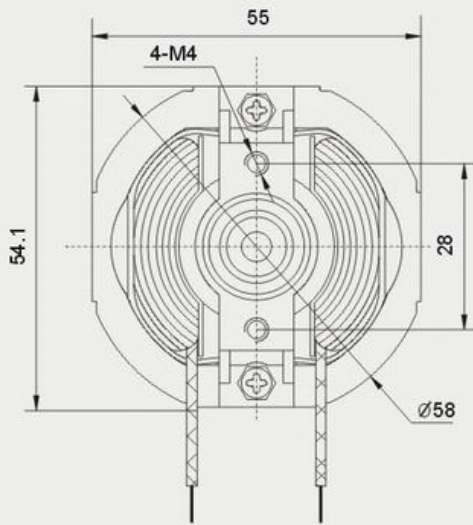


### 用途:

本系列电机广泛用于暖风机和换气扇。  
This series motor is extensive to used for warming machine and Ventilator.

### 注:

电机的旋转方向、引出线的规格和长度、输出轴的长度都可以按客户要求设计。  
The rotation, lead wire(spec and length), Output shaft can be made according to the consumer need.



## 主要技术参数 SPECIFICATION

ITEM MODEL	电压 VOLTAGE V	频率 FREQUENCY Hz	绝缘等级 INSULATION	尺寸 DIMENSIONS A mm	空载性能 NO LOAD PERFORMANCE			负载性能 ON LOAD PERFORMANCE					
					输入 电流 INPUT CURRENT	输入 功率 INPUT POWER	转速 SPEED	输入 电流 INPUT CURRENT	输入 功率 INPUT POWER	功率 因素 COS φ	转速 SPEED	输出 功率 OUTPUT POWER	额定 转矩 TORQUE
					A	W	r/min	A	W		r/min	W	g.cm
YJ58-12A/1	220/240	50	E	12.5	0.1	12.5	2600	0.13	16	0.55	2400	1.50	60
YJ58-12B/2	120	60	E	12.5	0.16	12	3350	0.20	16.5	0.65	2500	1.55	60
YJ58-16A/3	220/240	50	E	16.5	0.11	13.5	2700	0.15	17	0.58	2350	1.95	80
YJ58-16B/4	120	60	E	16.5	0.17	14	3400	0.21	18	0.62	2400	2.0	80
YJ58-20A/5	220/240	50	E	20.5	0.115	13.5	2750	0.14	18	0.60	2400	2.5	100
YJ58-20B/6	120	60	E	20.5	0.175	15.5	3400	0.23	21	0.65	2500	2.6	100
YJ58-30A/7	220/240	50	E	30.5	0.145	15	2800	0.16	20	0.63	2450	3.0	120
YJ58-30B/8	120	60	E	30.5	0.19	17	3400	0.28	25	0.66	2500	3.15	120

The information above is for reference only, detailed specification is subject to final confirmation

电话 (Tel): 0086-574-63780312 Sales:63788682 Tech: 63788702 传真 (Fax): 0086-574-63788566 联系人: 金鹏伟、黄崇荣  
 网址 (Website): Http://www.china-jiuling.com, Http://www.micromotor.cn E-mail: jiuling@china-jiuling.com sale@juln.com  
 地址: 浙江省宁波慈溪市龙山工业园区 (329 国道旁) 网络实名: 同步电动机, 微型步进电机, 机械定时器, 风扇罩极电机

# CIXI JIULING ELECTRICAL APPLIANCE CO.,LTD.

单相罩极异步电机  
YJ61系列

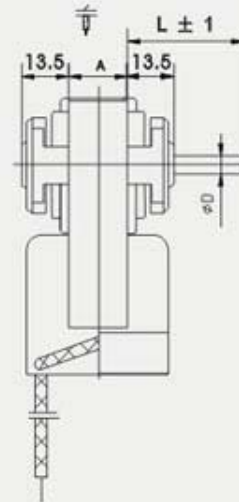
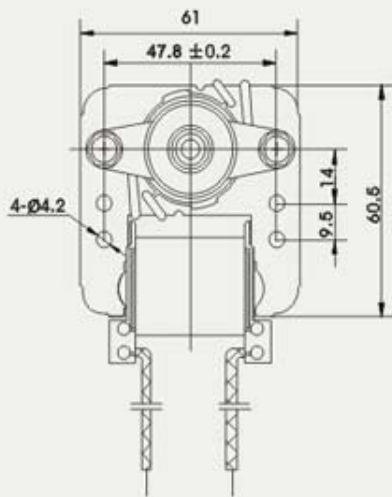
Single Phase Shade Pole Motor



用途: 本系列电机广泛用于暖风机散热, 电冰箱, 空调水泵, 微波炉, 搅拌机, 医药器械等装置。  
This series motor is extensive to used for Warming machine and Ventilator.

注: 电机的旋转方向、引出线的规格和长度、输出轴的长度都可以按客户要求设计。

The rotation, lead wire(spec and length), Output shaft can be made according to the consumer need.



## 主要技术参数 SPECIFICATION

ITEM  MODEL	电压  VOLTAGE  V	频率  FREQUENCY  Hz	绝缘等级  INSULATION	尺寸  DIMENSIONS  A  mm	空载性能 NO LOAD PERFORMANCE			负载性能 ON LOAD PERFORMANCE					
					输入 电流	输入 功率	转速	输入 电流	输入 功率	功率 因素	转速	输出 功率	额定 转矩
					INPUT CURRENT	INPUT POWER	SPEED	INPUT CURRENT	INPUT POWER	COS φ	SPEED	OUTPUT POWER	TORQUE
					A	W	r/min	A	W		r/min	W	g.cm
YJ61-10A/1	220/240	50	E	10.5	0.12	12.5	2700	0.13	16	0.56	2400	2	80
YJ61-10B/2	120	60	E	10.5	0.16	15	3400	0.20	17	0.61	2600	2.17	80
YJ61-13A/3	220/240	50	E	13.5	0.14	14.5	2700	0.18	18	0.58	2450	3	120
YJ61-13B/4	120	60	E	13.5	0.18	18	3450	0.21	21	0.62	2700	3.3	120
YJ61-16A/5	220/240	50	E	16.5	0.18	18	2750	0.2	22	0.60	2500	3.9	150
YJ61-16B/6	120	60	E	16.5	0.2	21	3450	0.25	25	0.65	2700	4.2	150
YJ61-20A/7	220/240	50	E	20.5	0.25	22	2800	0.28	25	0.63	2450	5.1	200
YJ61-20B/8	120	60	E	20.5	0.32	28	3500	0.35	33	0.66	2800	5.8	200

The information above is for reference only, detailed specification is subject to final confirmation

电话 (Tel): 0086-574-63780312 Sales:63788682 Tech: 63788702 传真 (Fax): 0086-574-63788566 联系人: 金鹏伟、黄崇荣  
网址 (Website): Http://www.china-jiuling.com, Http://www.micromotor.cn E-mail: jiuling@china-jiuling.com sale@juln.com  
地址: 浙江省宁波慈溪市龙山工业园区 (329 国道旁) 网络实名: 同步电动机, 微型步进电机, 机械定时器, 风扇罩极电机

# 慈溪市九菱电器有限公司

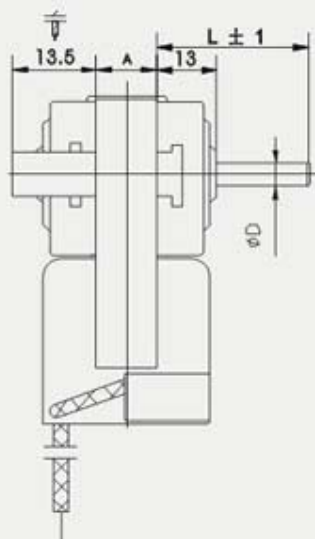
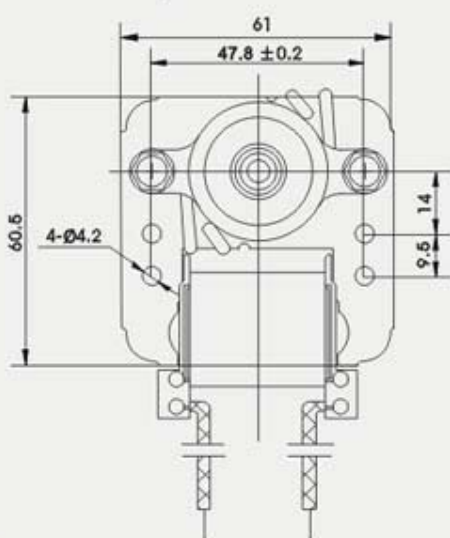
单相罩极异步电机  
YJ61系列

Single Phase Shade Pole Motor



用途：本系列电机广泛用于暖风机散热器，电冰箱，空调水泵，微波炉，搅拌机，医药器械等装置。  
This series motor is extensive to used for Warming machine and Ventilator.

注：电机的旋转方向、引出线的规格和长度、输出轴的长度都可以按客户要求设计。  
The rotation, lead wire(spec and length), Output shaft can be made according to the consumer need.



## 主要技术参数 SPECIFICATION

ITEM  MODEL	电压  VOLTAGE  V	频率  FREQUENCY  Hz	绝缘等级  INSULATION	尺寸  DIMENSIONS  A  mm	空载性能 NO LOAD PERFORMANCE			负载性能 ON LOAD PERFORMANCE					
					输入 电流	输入 功率	转速	输入 电流	输入 功率	功率 因素	转速	输出 功率	额定 转矩
					INPUT CURRENT	INPUT POWER	SPEED	INPUT CURRENT	INPUT POWER	COS φ	SPEED	OUTPUT POWER	TORQUE
					A	W	r/min	A	W		r/min	W	g.cm
YJ61-25A/9	220/240	50	E	25.5	0.26	25	2800	0.3	30	0.57	2450	6.4	250
YJ61-25B/10	120	60	E	25.5	0.3	28	3400	0.35	35	0.63	2600	6.8	250
YJ61-30A/11	220/240	50	E	30.5	0.29	33	2800	0.32	37	0.58	2450	7.7	300
YJ61-30B/12	120	60	E	30.5	0.32	31	3500	0.37	42	0.64	2700	8.4	300
YJ61-35A/13	220/240	50	E	35.5	0.32	37	2800	0.35	48	0.65	2500	10.5	400
YJ61-35B/14	120	60	E	35.5	0.35	44	3500	0.38	52	0.68	2700	11.3	400
YJ61-40A/15	220/240	50	E	40.5	0.4	51	2800	0.42	60	0.71	2500	13	500
YJ61-40B/16	120	60	E	40.5	0.35	43	3500	0.38	55	0.67	2800	14.6	500

The information above is for reference only, detailed specification is subject to final confirmation

电话 (Tel): 0086-574-63780312 Sales:63788682 Tech: 63788702 传真 (Fax): 0086-574-63788566 联系人: 金鹏伟、黄崇荣  
 网址 (Website): Http://www.china-jiuling.com, Http://www.micromotor.cn E-mail: jiuling@china-jiuling.com sale@juln.com  
 地址: 浙江省宁波慈溪市龙山工业园区 (329 国道旁) 网络实名: 同步电动机, 微型步进电机, 机械定时器, 风扇罩极电机